

# EC6072

## Battery Charger



## EC6072

The EC6072 Battery Charger has been designed for recharging of the EC6068 Battery Module.

Two EC6068 Battery Modules can be connected to EC6072 and recharged simultaneously.

Furthermore, the EC6072 can be used as DC voltage supply for hydrophones with built-in preamplifiers and for the VP1000 Voltage Amplifier or the CCA1000 Charge Conditioning Amplifier.

### AT A GLANCE

- Sealed durable aluminum box
- EMI/RFI shielding Charging of two batteries simultaneously
- Useable as DC Voltage supply

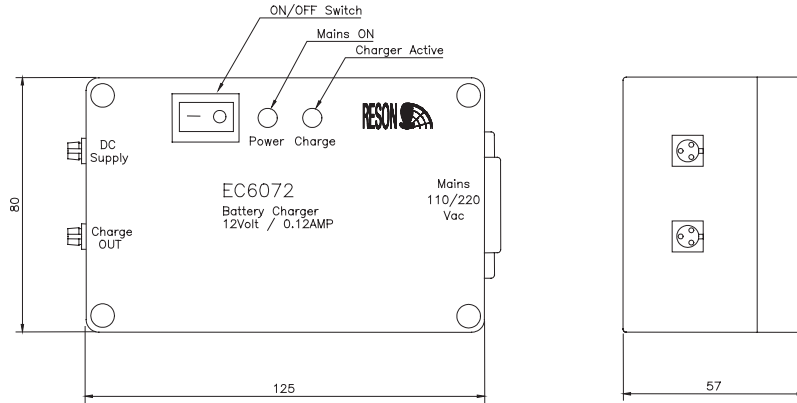
## TECHNICAL SPECIFICATIONS

<b>Mains supply:</b>	110/220 VAC (Auto-setting)
<b>DC output:</b>	15 Volt/0.12 A
<b>Temperature range:</b>	
<b>Operating:</b>	-10 to +50°C
<b>Storage:</b>	-30 to +50°C
<b>Dimensions:</b>	125 x 80 x 60mm (L.w.h.)
<b>Weight:</b>	0.6kg
<b>Accessory included:</b>	IEC Mains cable 2 pcs DC supply cable TL 8084

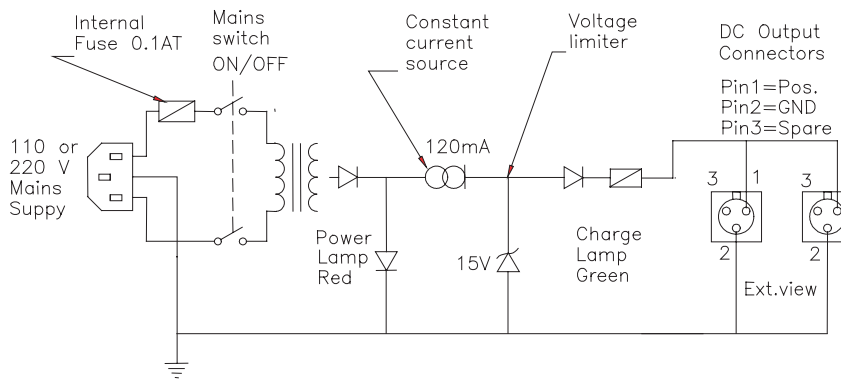
The EC6072 is equipped with an ON/OFF switch displaying a red mark in ON position.  
 A red light is shown when 110/220V mains is on.  
 A green light is shown when the charger is active.  
 EC6072 accepts both 110 and 220V mains. The voltage level is internally detected and automatically switched to the right setting.  
 The DC charge voltage is supplied to the batteries or the preamplifiers through the DC charge cable TL8084 when connected to the 3 pole connector.  
 EC6072 is current limited @ 0,12A mains fuse 0.1A inside box.

# Battery Charger EC6072

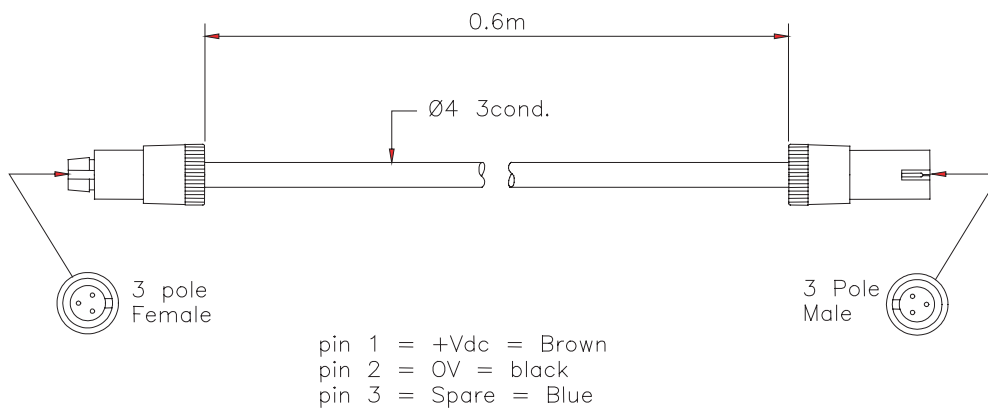
## Outline dimensions and layout



## Circuit Diagram



## DC supply cable TL 8084 (2 pcs.)



For more details visit [www.teledyne-reson.com](http://www.teledyne-reson.com) or contact your local Teledyne RESON Office. Teledyne RESON reserves the right to change specifications without notice. 2015©Teledyne RESON

Teledyne RESON A/S

Denmark  
Tel: +45 4738 0022  
info@teledyne-reson.com

Teledyne RESON Inc.

U.S.A.  
Tel: +1 805 964-6260  
sales@teledyne-reson.com

Teledyne RESON Ltd.

Scotland U.K.  
Tel: +44 1224 709 900  
sales@reson.co.uk

Teledyne RESON B.V.

The Netherlands  
Tel: +31 (0) 10 245 1500  
info@reson.nl

Teledyne RESON GmbH

Germany  
Tel: ++49 421 3770 9600  
info@teledyne-reson.com

Teledyne RESON Shanghai Office

Shanghai  
Tel: +86 21 64186205  
shanghai@teledyne-reson.com